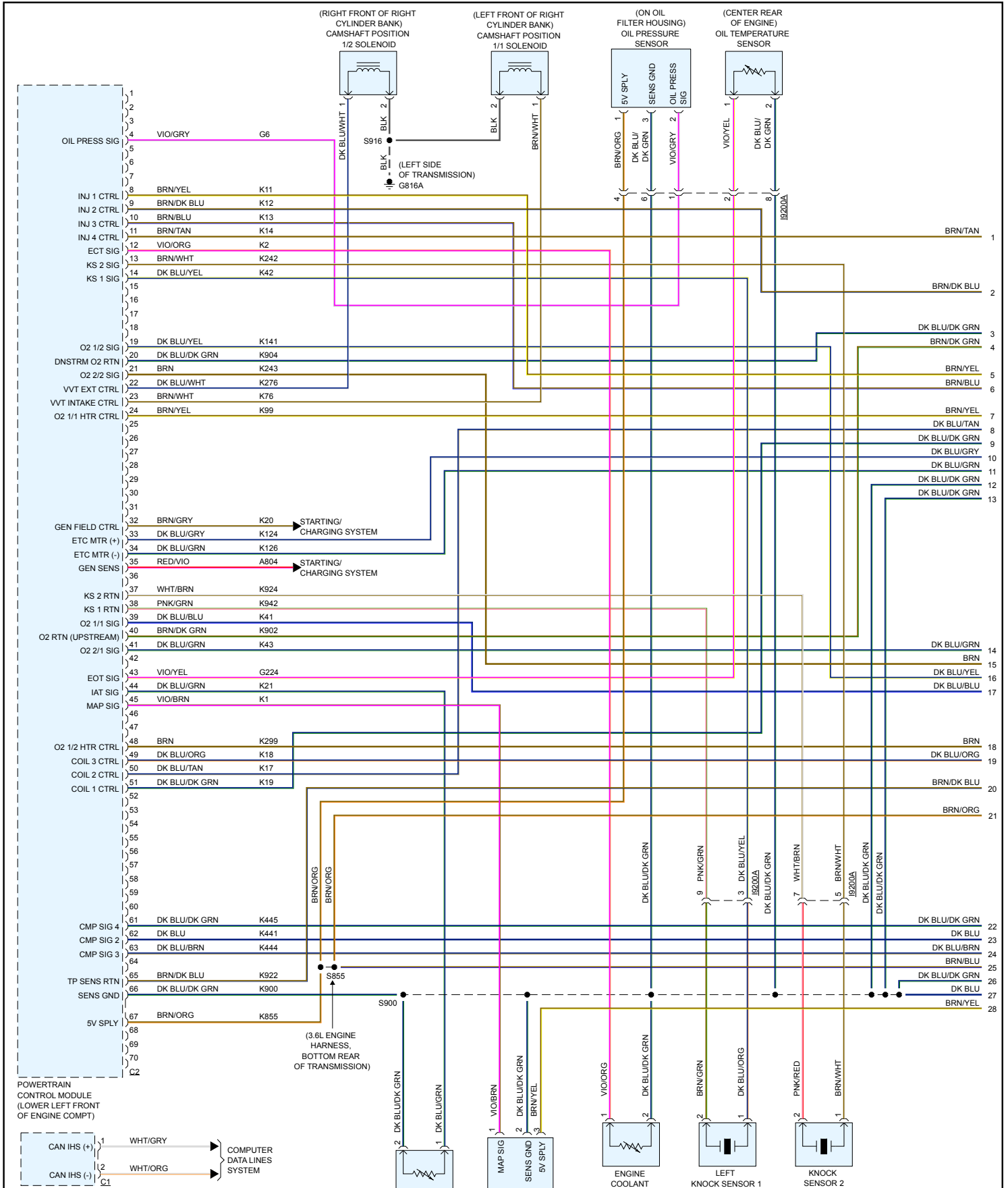
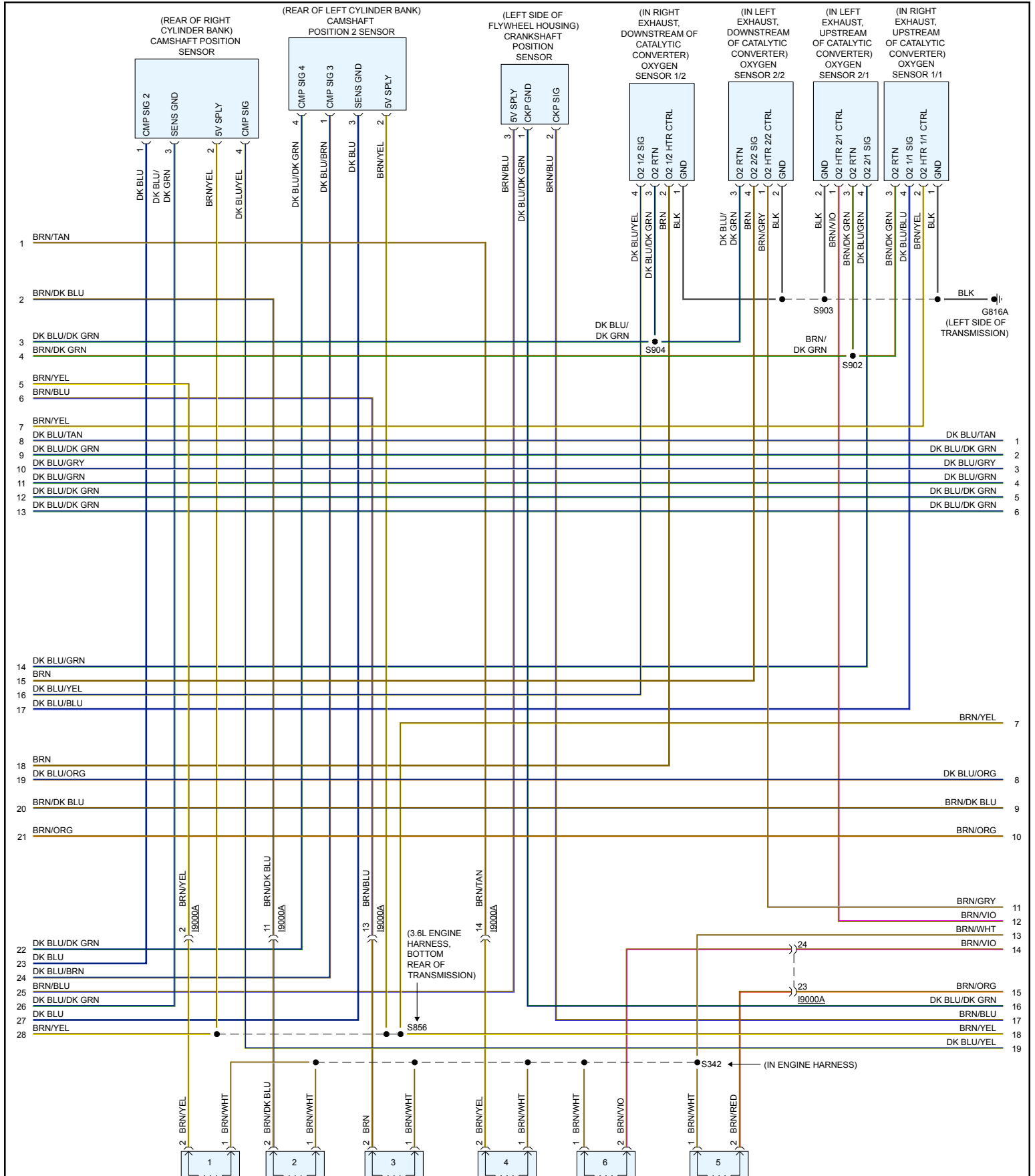


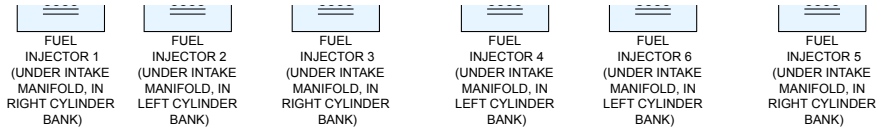
Diagram 1



CLUSTER	INTAKE AIR TEMPERATURE SENSOR (THROTTLE BODY)	MANIFOLD ABSOLUTE PRESSURE SENSOR (REAR OF INTAKE MANIFOLD)	TEMPERATURE SENSOR (LEFT REAR OF ENGINE)	(UNDER INTAKE MANIFOLD, IN RIGHT CYLINDER BANK)	(UNDER INTAKE MANIFOLD, IN LEFT CYLINDER BANK)
637566					

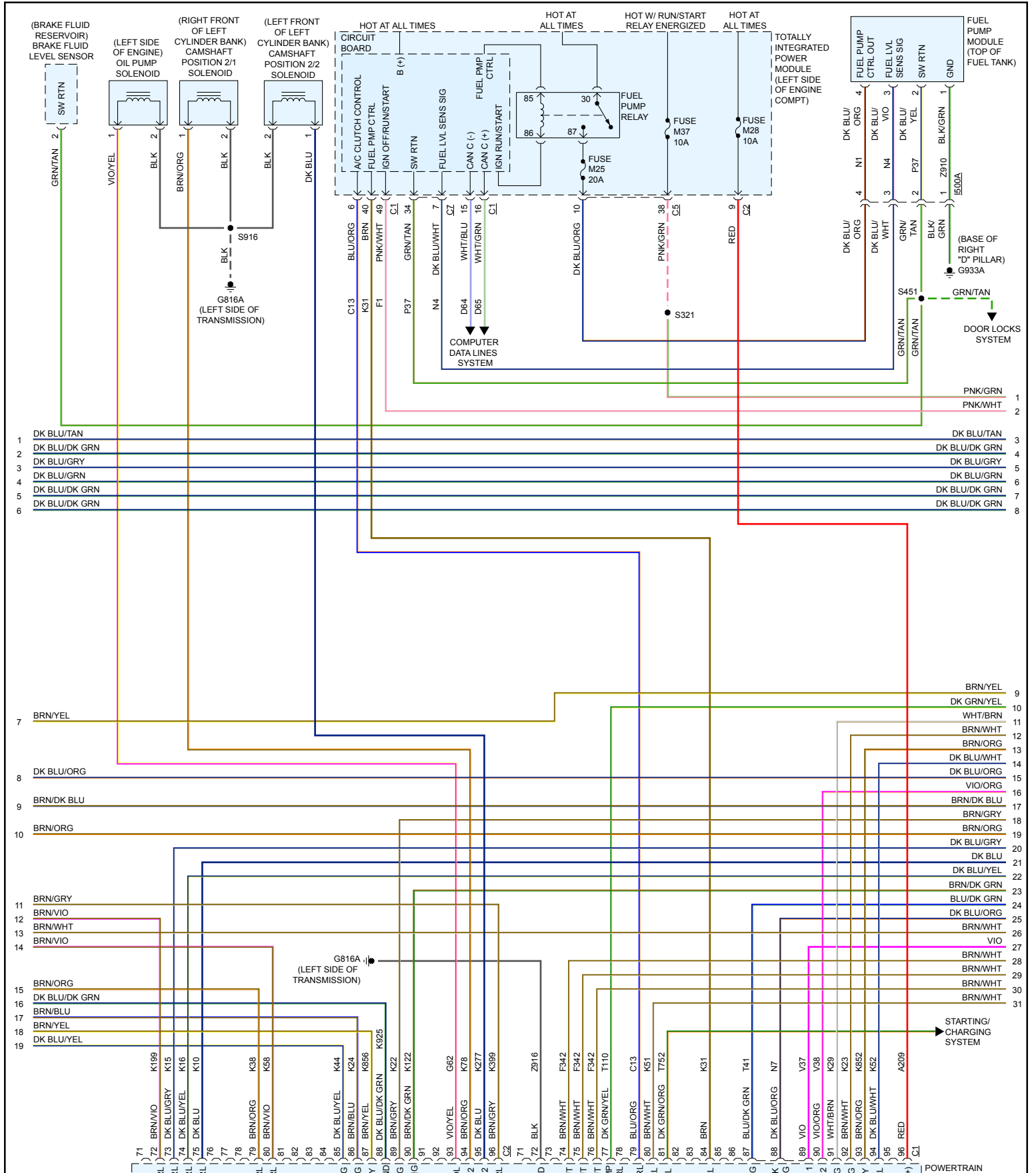
Diagram 2





637567

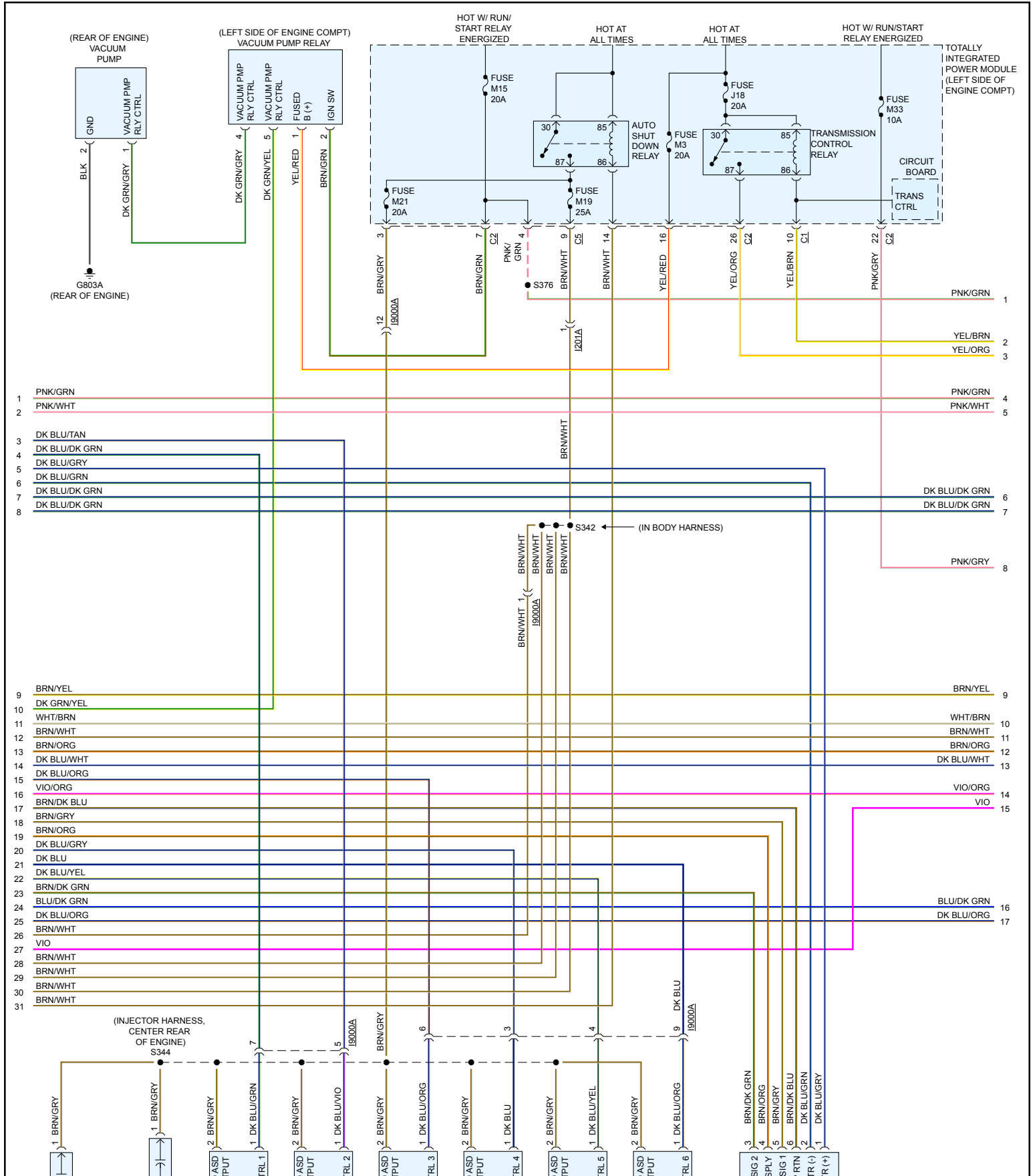
Diagram 3



637568

O2 2/1 HTR CTF	CONTROL MODULE (LOWER LEFT FRONT OF ENGINE COMPT)
COIL 4 CFI	
COIL 5 CFI	
COIL 6 CFI	
INJ 5 CTF	
INJ 6 CTF	
CMP S	
CKP S	
5V SPI	
CKP GI	
TP 1 S	
TP 2 S	
OIL PRESS SC	
WT INT CTRL	
WT EXT CTRL	
O2 2/2 HTR CTF	
GN	
ASD CTRL OL	
ASD CTRL OL	
ASD CTRL OL	
VCM PUP	
RLY CFI	
A/C CLUTCH CT	
ASD RLY CTF	
STARTER RLY CTF	
FUEL PMP CTF	
TRS T41 S	
FUEL TAN PRESS S	
S/C SIC	
S/C SIG	
APP 2 SI	
APP 1 SI	
5V SPI	
EVAP PRG CTF	
FUSED B (

Diagram 4



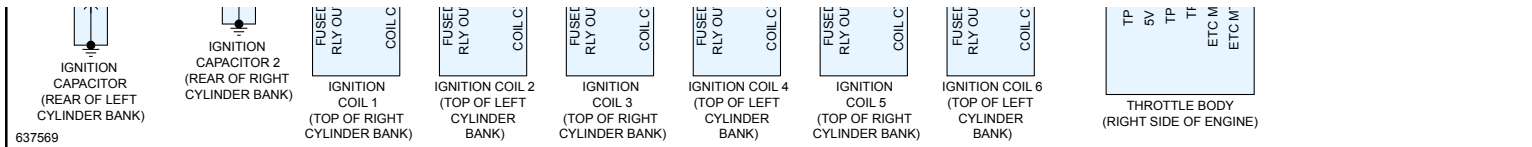
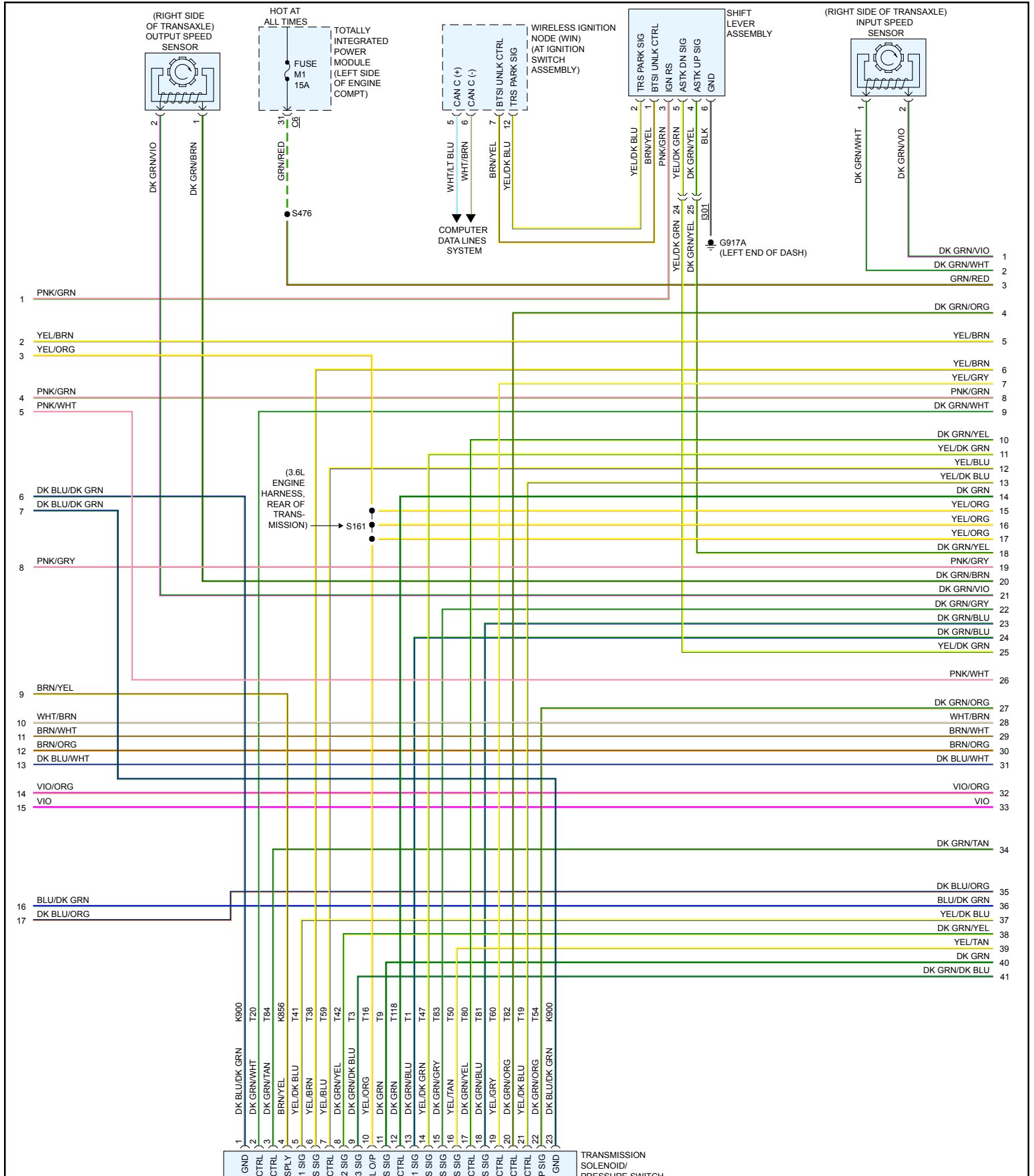


Diagram 5

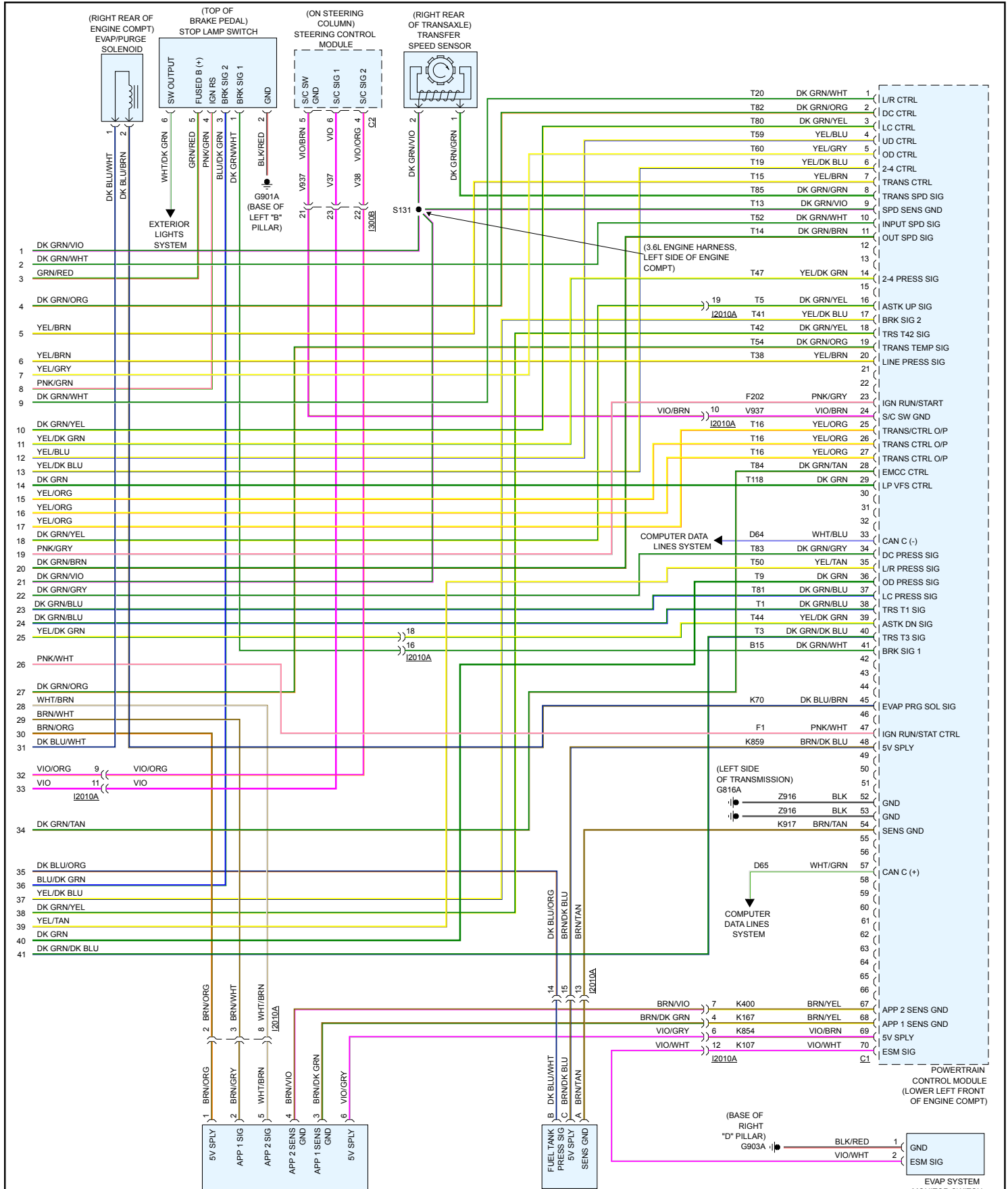


637570

SEMS
 L/R
 EMCC
 5V
 TRS T4
 LINE PRES
 UD
 TRS T4
 TRS T
 TRANS CTR
 ODD PRES
 LP VFS
 TRS T
 2-4 PRES
 DC PRES
 L/R PRES
 LC
 LC PRES
 OD
 DC
 2-4
 TRANS TEM
 SEMS

PERSONAL UNIT
 ASSEMBLY
 (LEFT SIDE OF
 TRANSMISSION)

Diagram 6



ACCELERATOR PEDAL
POSITION SENSOR
(TOP OF ACCELERATOR
PEDAL ASSEMBLY)

FUEL TANK
PRESSURE SENSOR
(LEFT OF FUEL TANK,
ON FUEL LINE)

MONITOR SWITCH
(ON EVAP CANISTER)

637571